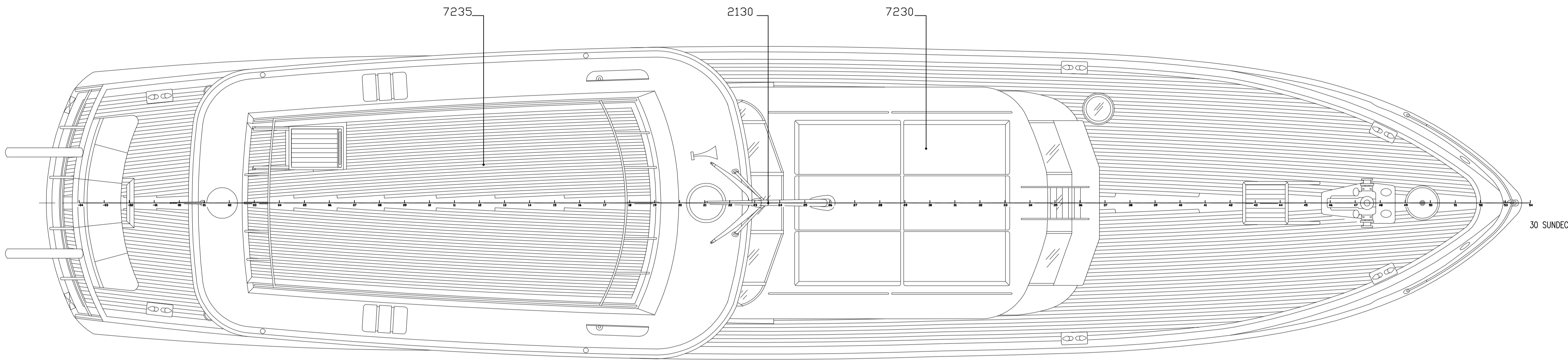
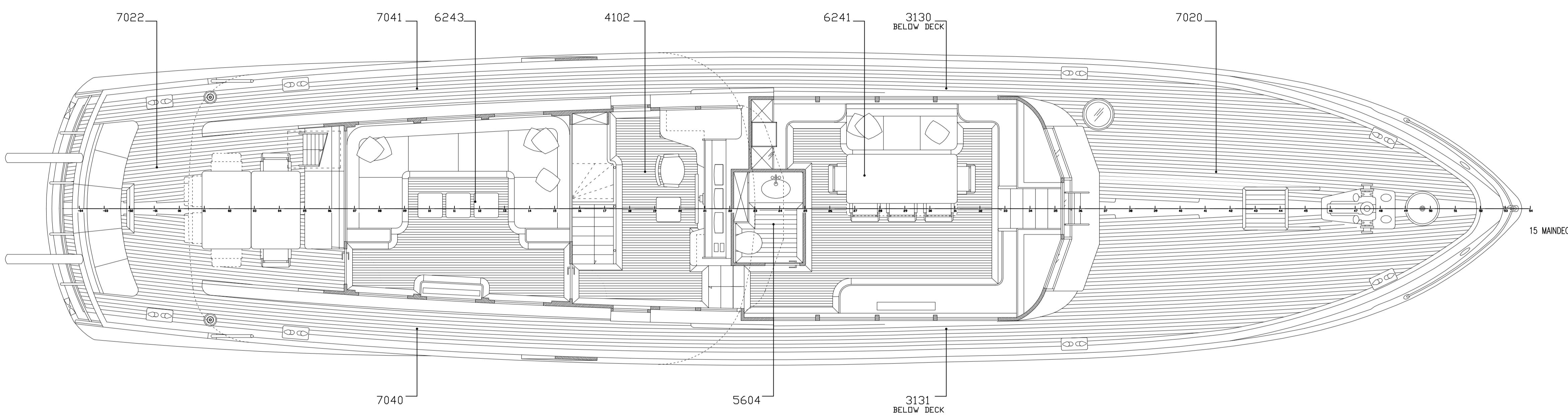


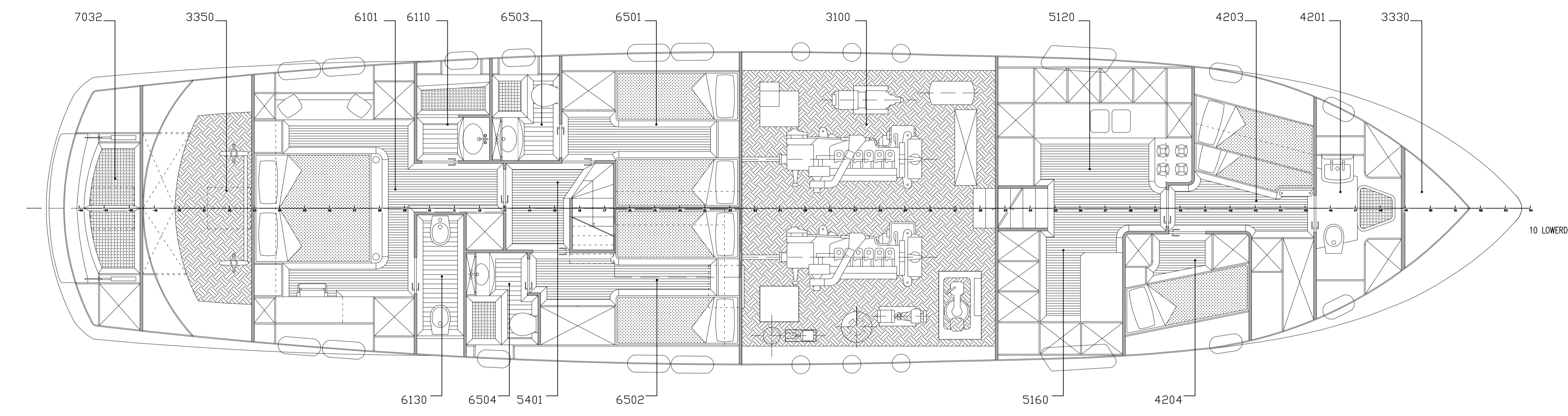
60 PROFILE



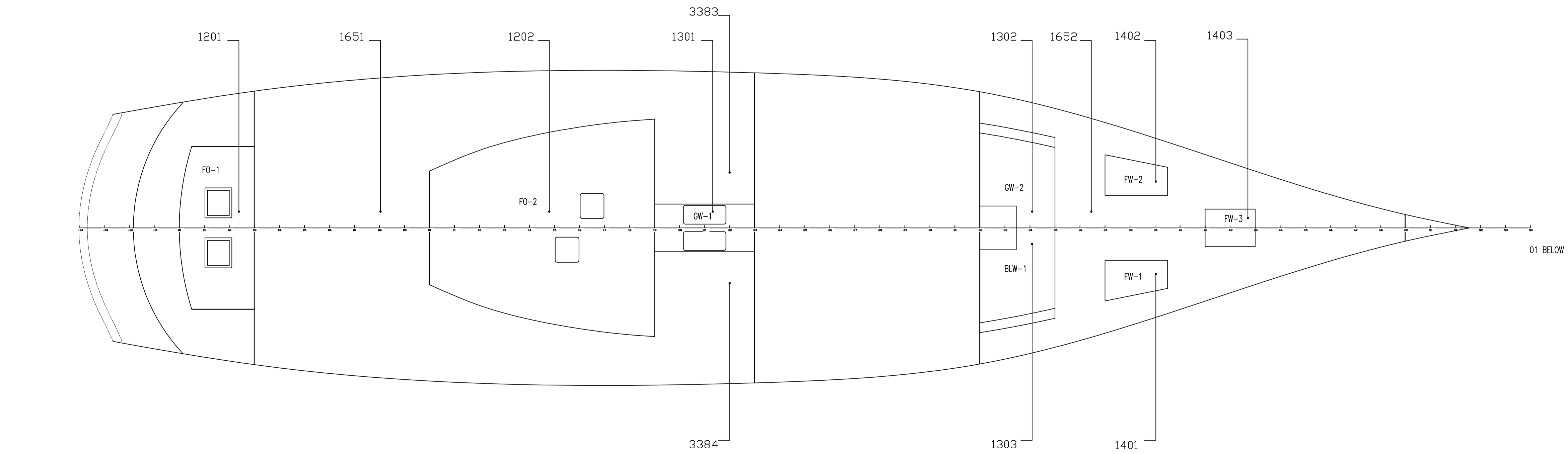
30 SUNDECK



15 MAINDECK



10 LOWERDECK



01 BELOW TANKDECK

DECK	AREA	DESCRIPTION
01	0300	Hull
01	1001	Hull
01	1002	Hull under CWL
01	1006	Hull Above CWL
01	1300	Fuel tanks
01	1301	Fuel tank 1 (A)
01	1302	Fuel tank 2 (M)
01	1303	Fuel tank 3 (S)
01	1304	Fuel tank 4 (P)
01	1305	Fuel tank 5 (F)
01	1306	Fuel tank 6 (B)
01	1307	Fuel tank 7 (A)
01	1308	Fuel tank 8 (M)
01	1309	Fuel tank 9 (S)
01	1310	Fuel tank 10 (P)
01	1311	Fuel tank 11 (F)
01	1312	Fuel tank 12 (B)
01	1313	Fuel tank 13 (A)
01	1314	Fuel tank 14 (M)
01	1315	Fuel tank 15 (S)
01	1316	Fuel tank 16 (P)
01	1317	Fuel tank 17 (F)
01	1318	Fuel tank 18 (B)
01	1319	Fuel tank 19 (A)
01	1320	Fuel tank 20 (M)
01	1321	Fuel tank 21 (S)
01	1322	Fuel tank 22 (P)
01	1323	Fuel tank 23 (F)
01	1324	Fuel tank 24 (B)
01	1325	Fuel tank 25 (A)
01	1326	Fuel tank 26 (M)
01	1327	Fuel tank 27 (S)
01	1328	Fuel tank 28 (P)
01	1329	Fuel tank 29 (F)
01	1330	Fuel tank 30 (B)
01	1331	Fuel tank 31 (A)
01	1332	Fuel tank 32 (M)
01	1333	Fuel tank 33 (S)
01	1334	Fuel tank 34 (P)
01	1335	Fuel tank 35 (F)
01	1336	Fuel tank 36 (B)
01	1337	Fuel tank 37 (A)
01	1338	Fuel tank 38 (M)
01	1339	Fuel tank 39 (S)
01	1340	Fuel tank 40 (P)
01	1341	Fuel tank 41 (F)
01	1342	Fuel tank 42 (B)
01	1343	Fuel tank 43 (A)
01	1344	Fuel tank 44 (M)
01	1345	Fuel tank 45 (S)
01	1346	Fuel tank 46 (P)
01	1347	Fuel tank 47 (F)
01	1348	Fuel tank 48 (B)
01	1349	Fuel tank 49 (A)
01	1350	Fuel tank 50 (M)
01	1351	Fuel tank 51 (S)
01	1352	Fuel tank 52 (P)
01	1353	Fuel tank 53 (F)
01	1354	Fuel tank 54 (B)
01	1355	Fuel tank 55 (A)
01	1356	Fuel tank 56 (M)
01	1357	Fuel tank 57 (S)
01	1358	Fuel tank 58 (P)
01	1359	Fuel tank 59 (F)
01	1360	Fuel tank 60 (B)
01	1361	Fuel tank 61 (A)
01	1362	Fuel tank 62 (M)
01	1363	Fuel tank 63 (S)
01	1364	Fuel tank 64 (P)
01	1365	Fuel tank 65 (F)
01	1366	Fuel tank 66 (B)
01	1367	Fuel tank 67 (A)
01	1368	Fuel tank 68 (M)
01	1369	Fuel tank 69 (S)
01	1370	Fuel tank 70 (P)
01	1371	Fuel tank 71 (F)
01	1372	Fuel tank 72 (B)
01	1373	Fuel tank 73 (A)
01	1374	Fuel tank 74 (M)
01	1375	Fuel tank 75 (S)
01	1376	Fuel tank 76 (P)
01	1377	Fuel tank 77 (F)
01	1378	Fuel tank 78 (B)
01	1379	Fuel tank 79 (A)
01	1380	Fuel tank 80 (M)
01	1381	Fuel tank 81 (S)
01	1382	Fuel tank 82 (P)
01	1383	Fuel tank 83 (F)
01	1384	Fuel tank 84 (B)
01	1385	Fuel tank 85 (A)
01	1386	Fuel tank 86 (M)
01	1387	Fuel tank 87 (S)
01	1388	Fuel tank 88 (P)
01	1389	Fuel tank 89 (F)
01	1390	Fuel tank 90 (B)
01	1391	Fuel tank 91 (A)
01	1392	Fuel tank 92 (M)
01	1393	Fuel tank 93 (S)
01	1394	Fuel tank 94 (P)
01	1395	Fuel tank 95 (F)
01	1396	Fuel tank 96 (B)
01	1397	Fuel tank 97 (A)
01	1398	Fuel tank 98 (M)
01	1399	Fuel tank 99 (S)
01	1400	Fuel tank 100 (P)

Revised	Revision	Description	Drawn
C	30-03-2018	FRW/GRW2/BLW Tanks added	
B	22-02-2018	Dayhead code changed / Table added	QJVD
A	01-02-2018	ORIGINAL ISSUE	QJVD

FEADSHIP
ROYAL DUTCH SHEPPARDS

DE VRIES
CONSTRUCTION

SPACE ALLOCATION PLAN

Scale: 1:60
Sheet No: 586
Drawn: AD
Check: AD
Date: 01-02-2018
Project No: 40541
Department: 20
Floor: 95
Room: 95
Area: 9000
Type No: 0031
Revision No: 001
Record ID: 00000